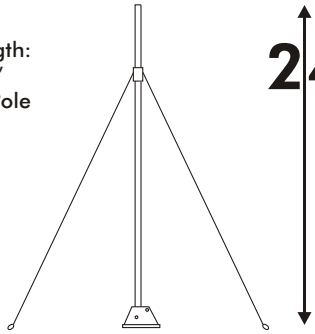


**TOW-24-WHI**

Pole Length:  
1 - 24'  
No Gin Pole

**24'**

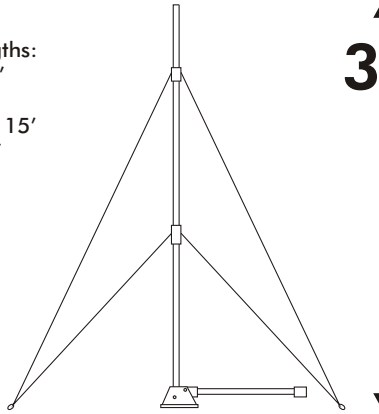


Guy Radius: 15' Auger Size: 36"  
Anchor Hole: 1.5' diameter x 3' deep x 12" concrete

**TOW-30-WHI**

Pole Lengths:  
1 - 13'  
1-17'  
Gin Pole: 15'  
1- 15'

**30'**

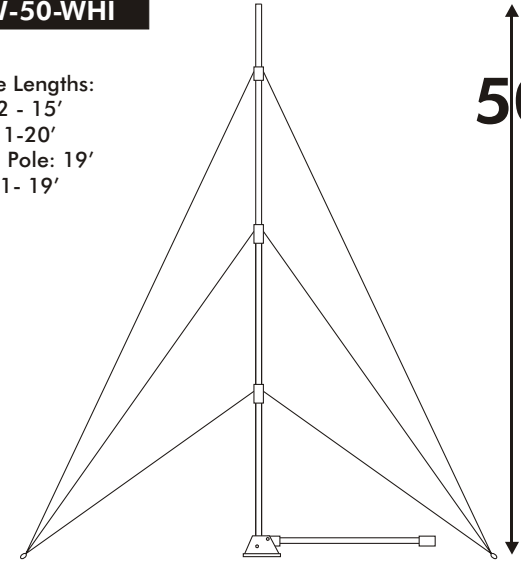


Guy Radius: 20' Auger Size: 48"  
Anchor Hole: 2' diameter x 3' deep x 9" concrete

**TOW-50-WHI**

Pole Lengths:  
2 - 15'  
1-20'  
Gin Pole: 19'  
1- 19'

**50'**

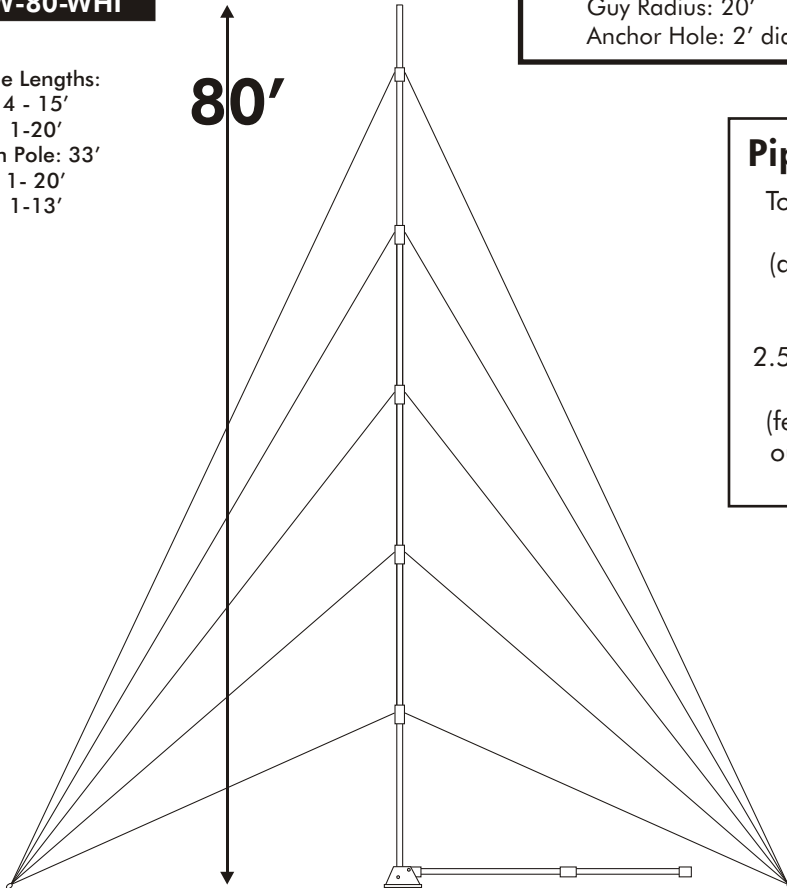


Guy Radius: 25' Auger Size: 48"  
Anchor Hole: 2' diameter x 3' deep x 10" concrete

**TOW-80-WHI**

Pole Lengths:  
4 - 15'  
1-20'  
Gin Pole: 33'  
1- 20'  
1-13'

**80'**



Guy Radius: 40' Auger Size: 60"  
Anchor Hole: 2' diameter x 4' deep x 12" concrete

**Pipe Requirements:**

Tower Kits use 2.5" CQ40  
fence pipe  
(available from any chain  
link fence company)  
or  
2.5" schedule 40 water pipe  
  
(fence & water pipe actual  
outer diameter is 2.875")



**Top View**

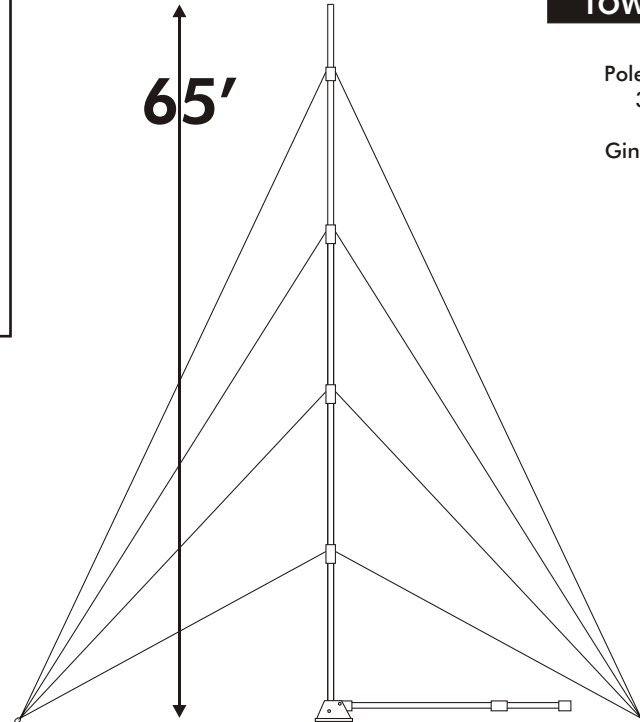


Each tower  
uses 4 anchor  
points

**TOW-65-WHI**

Pole Lengths:  
3 - 15'  
1-20'  
Gin Pole: 26'  
1- 20'  
1-6'

**65'**



Guy Radius: 33' Auger Size: 60"  
Anchor Hole: 2' diameter x 3' deep x 12" concrete

